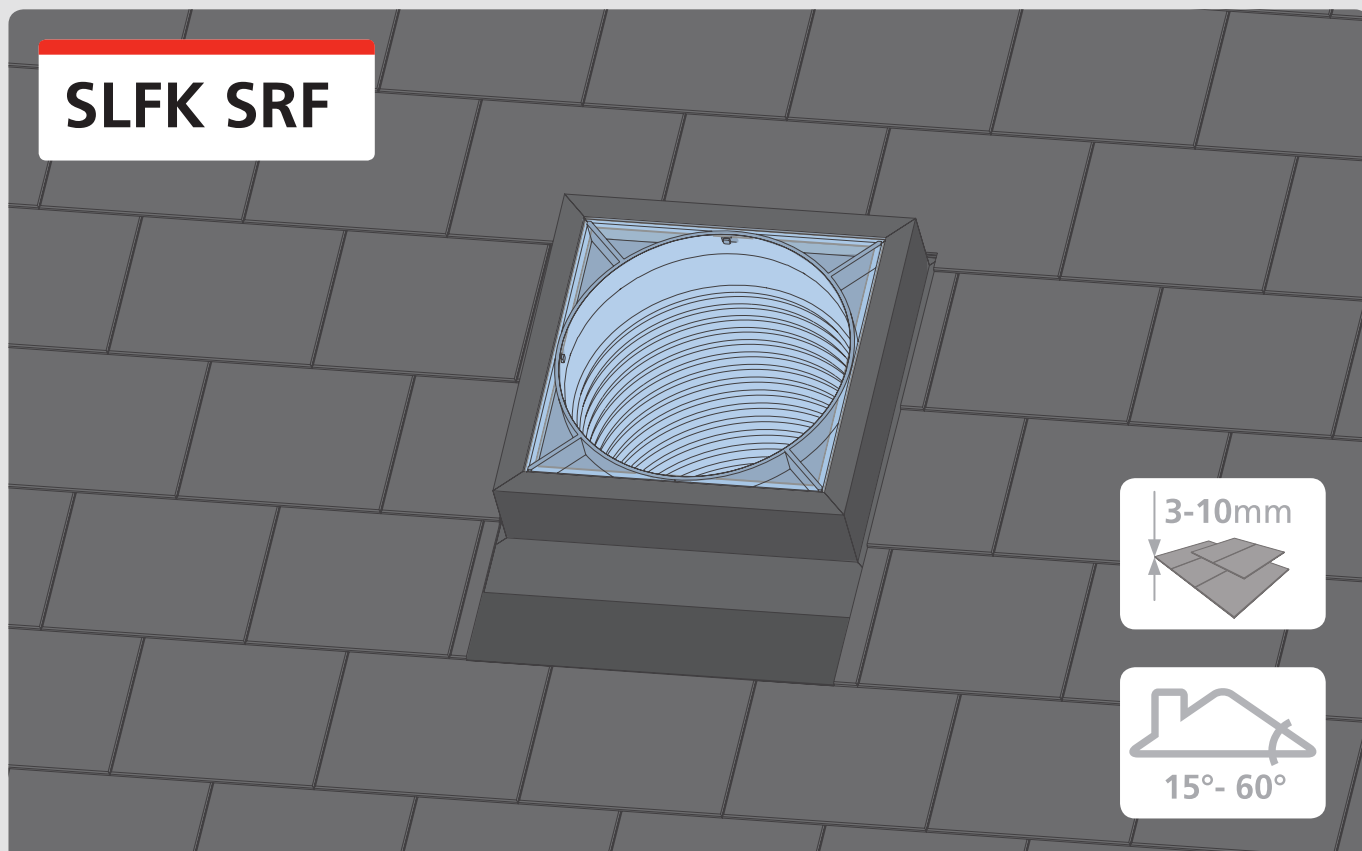
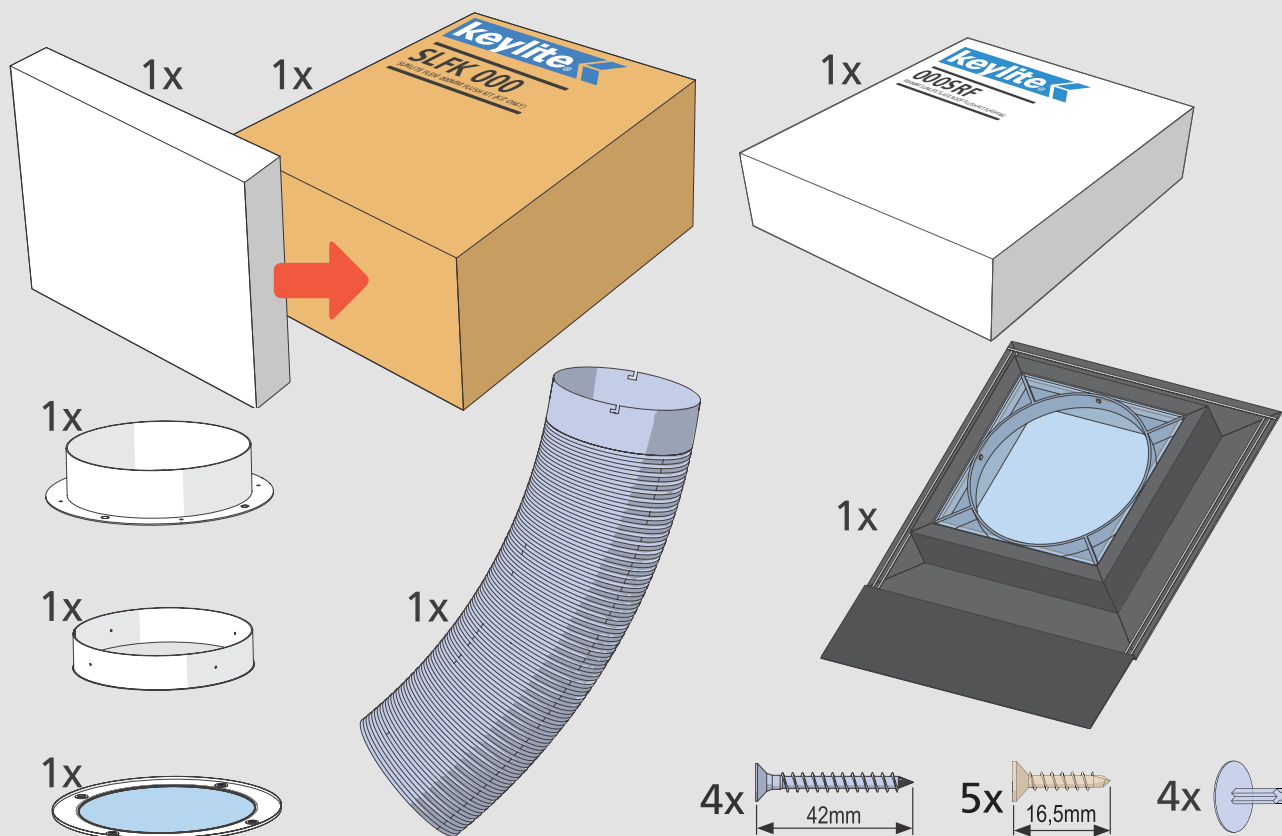






## SLFK SRF

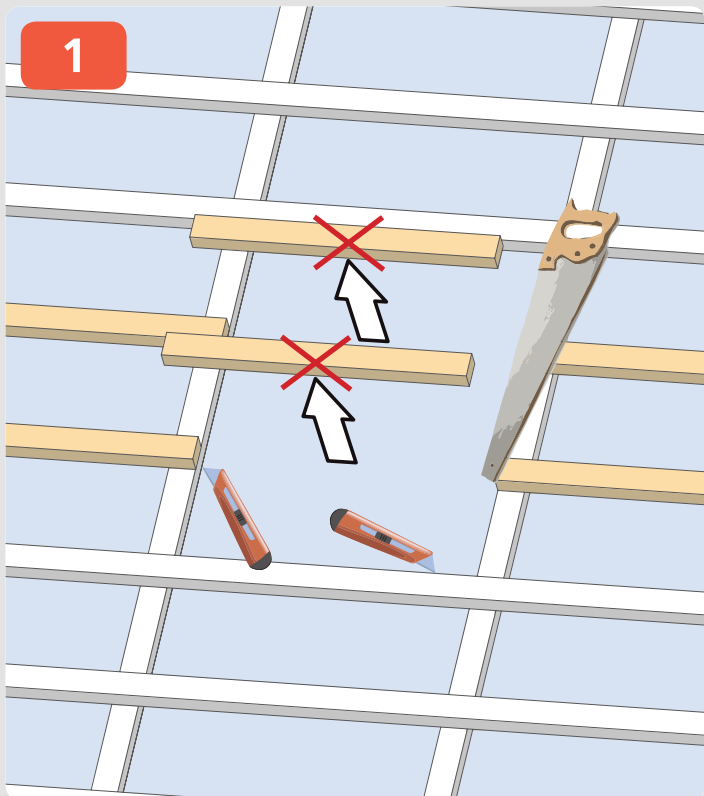
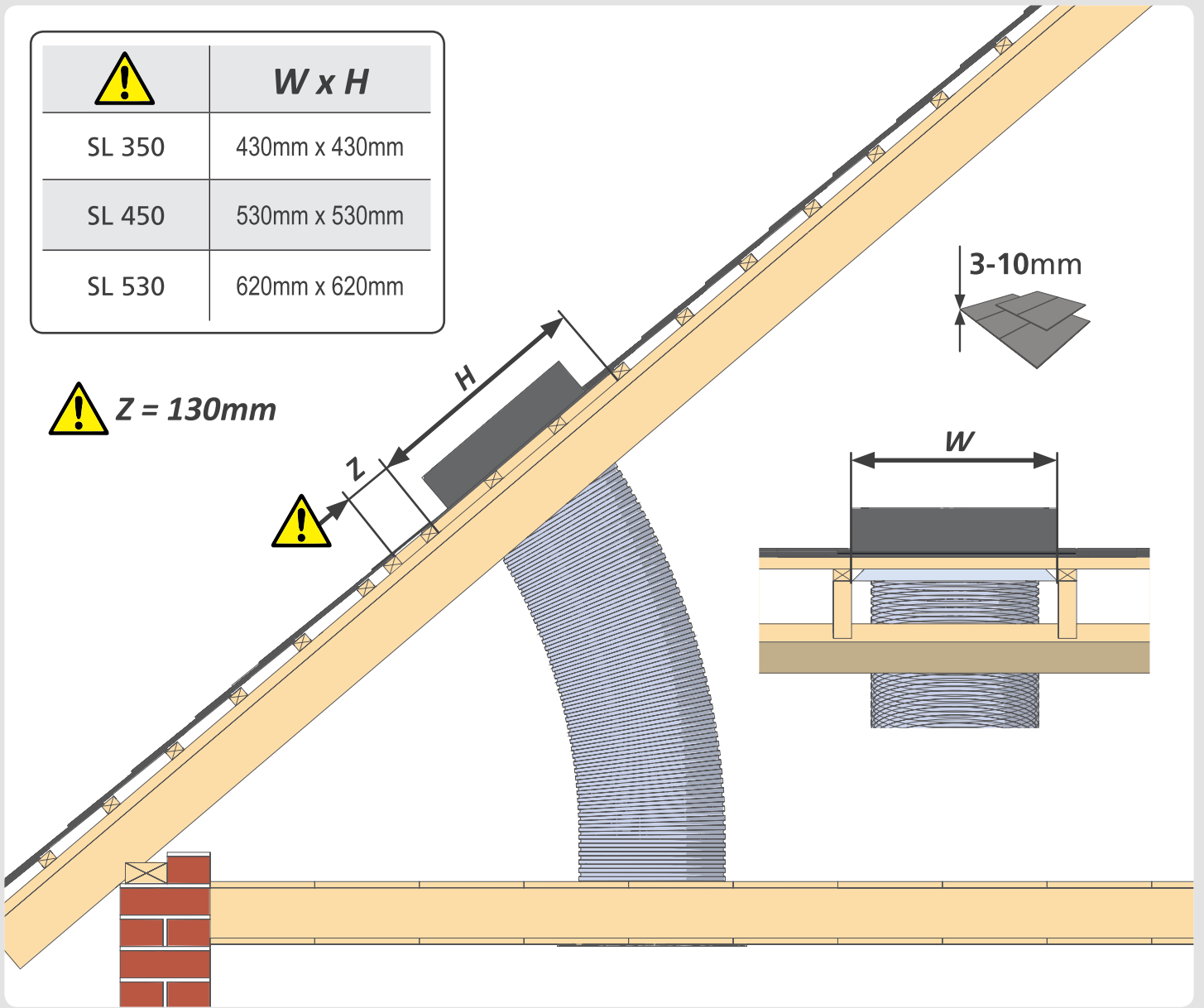


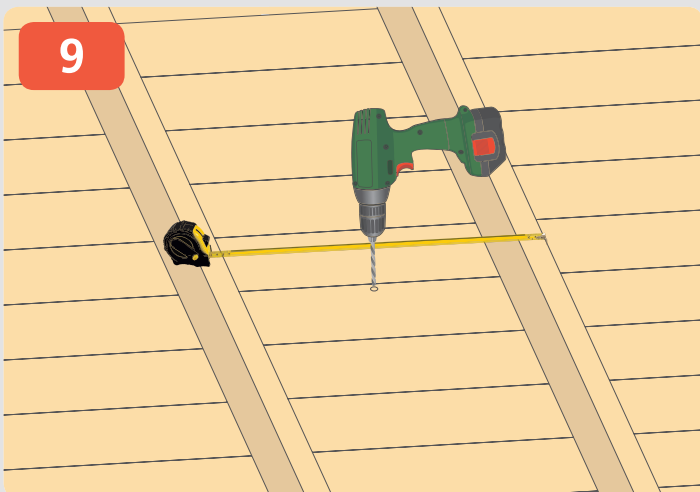
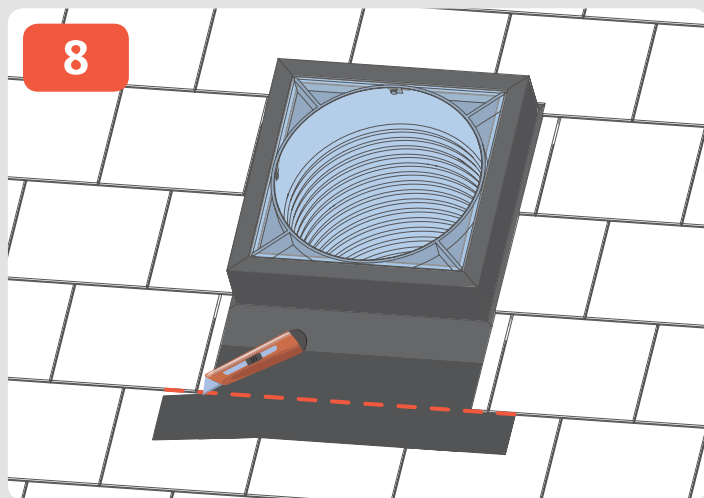
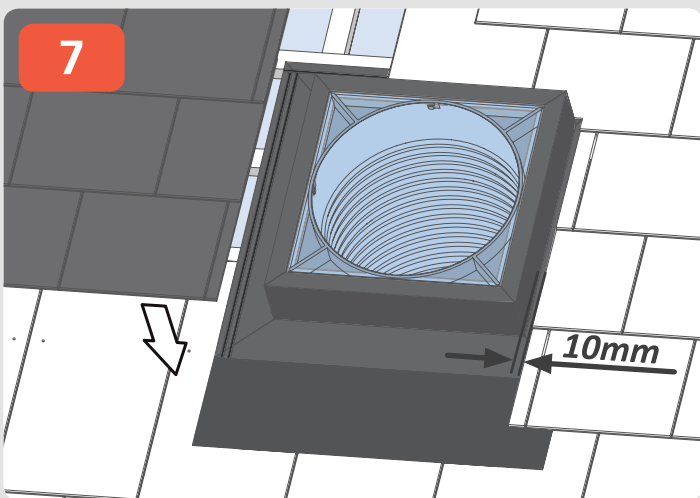
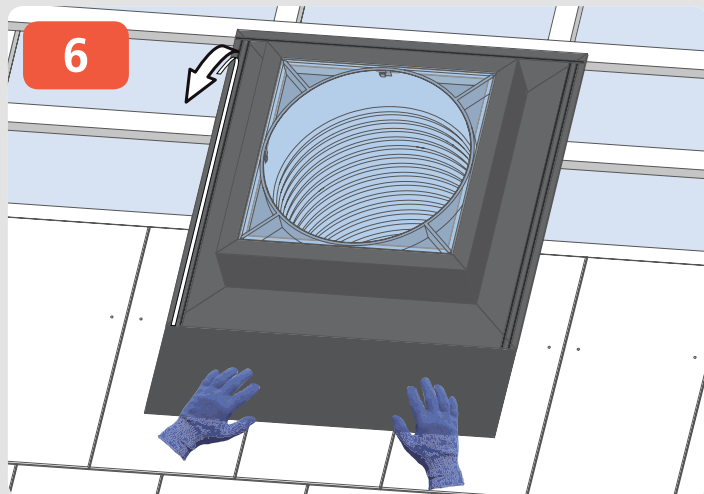
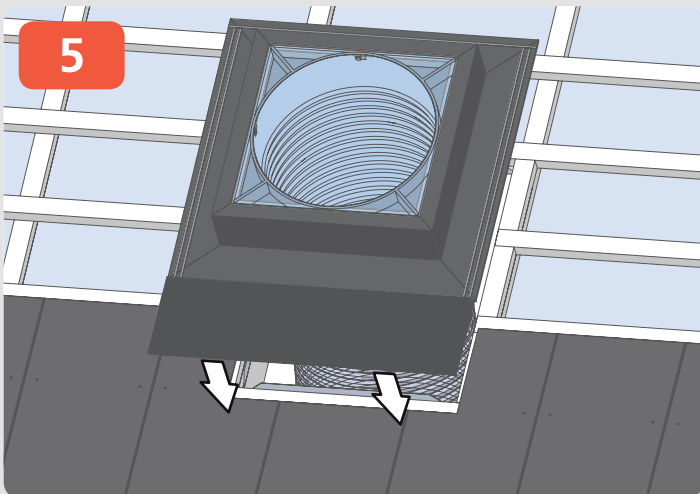
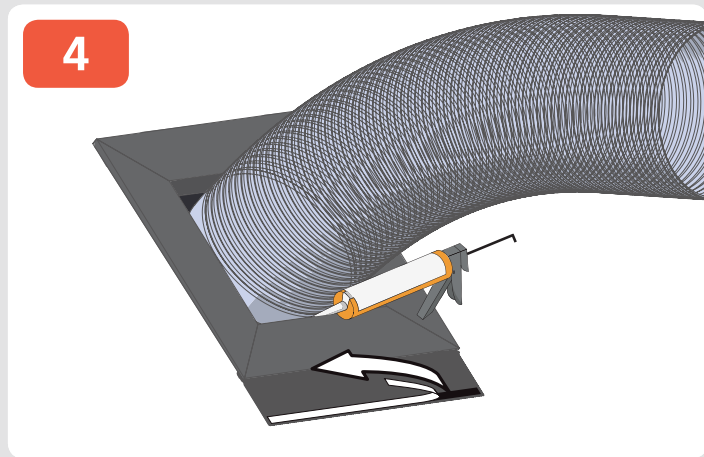
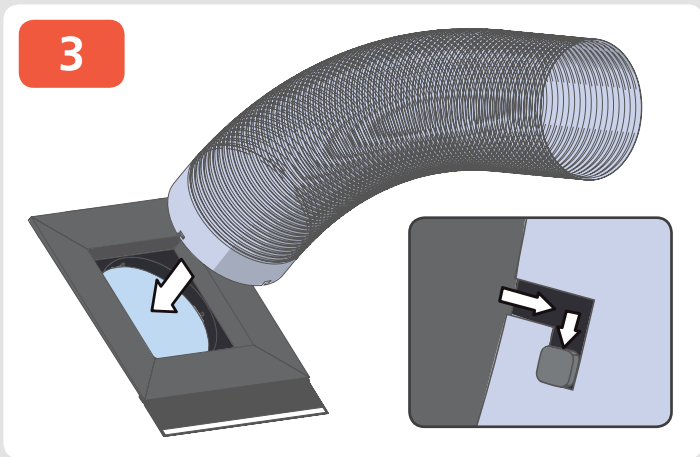
Sun Lite™



|  | $W \times H$  |
|---|---------------|
| SL 350  | 430mm x 430mm |
| SL 450  | 530mm x 530mm |
| SL 530  | 620mm x 620mm |

  $Z = 130\text{mm}$

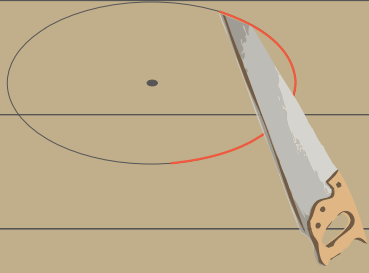




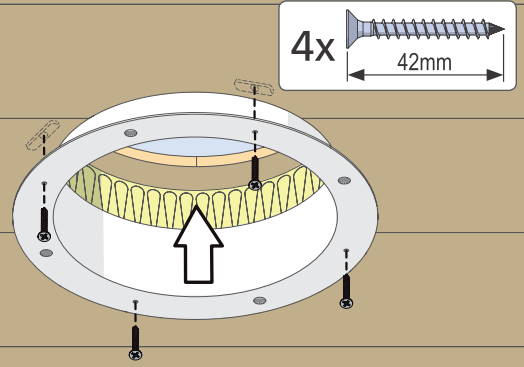
**10**

|  |        |           |
|--|--------|-----------|
|  | SL 350 | 178mm (R) |
|  | SL 450 | 235mm (R) |
|  | SL 530 | 274mm (R) |

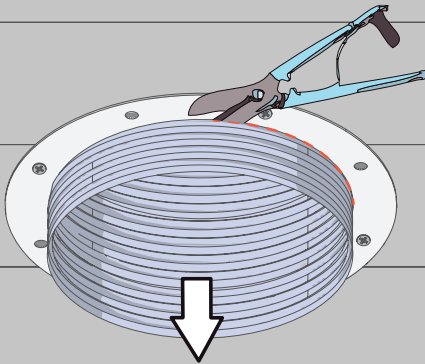
11



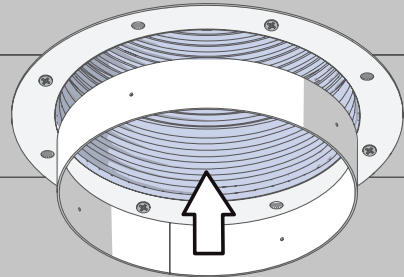
12



13

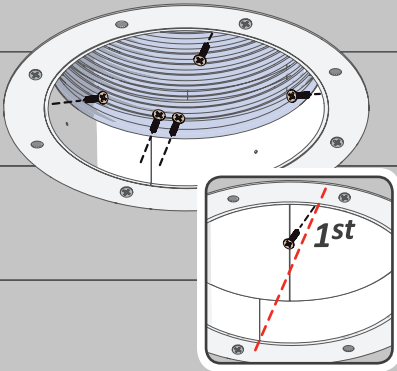


14



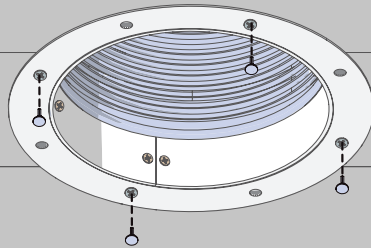
15

5x 16,5mm



16

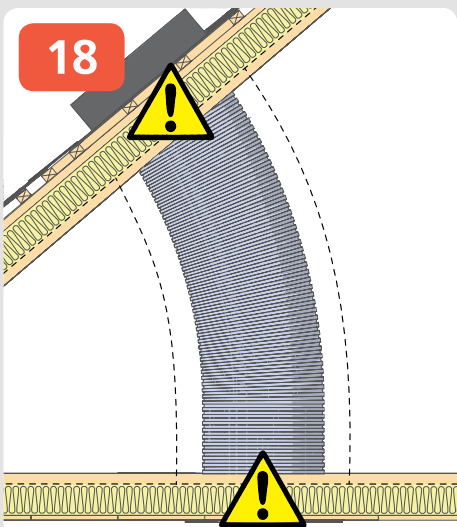
4x



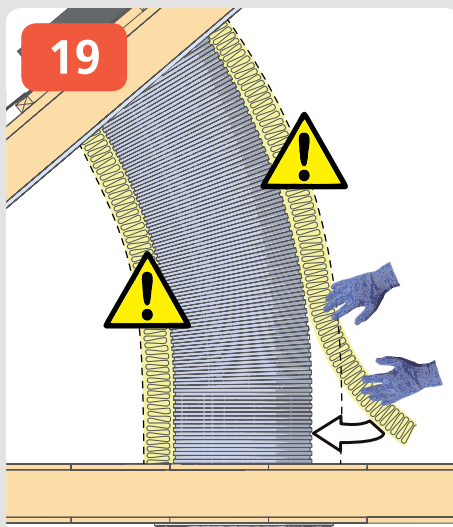
17



18



19



20

